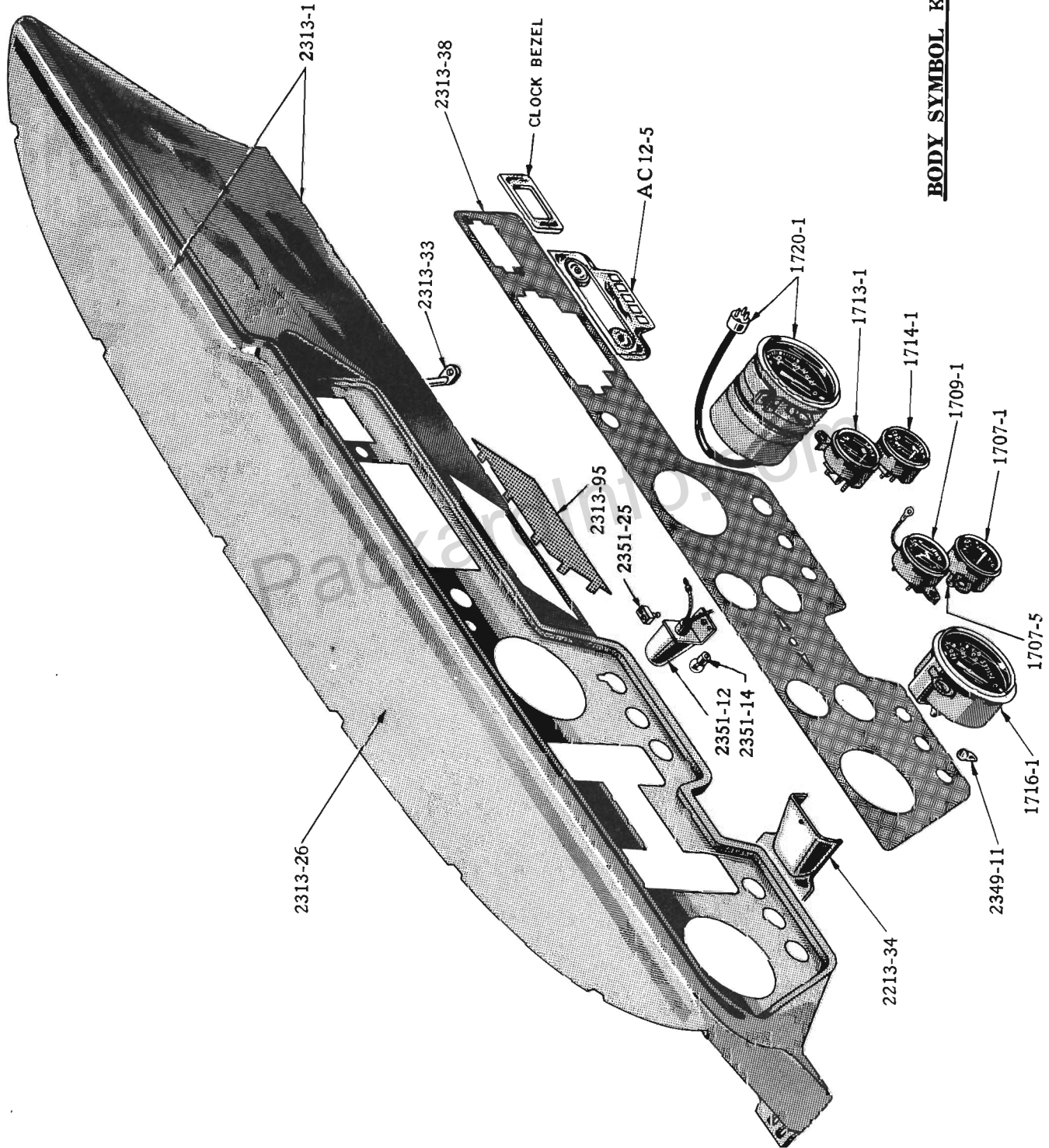


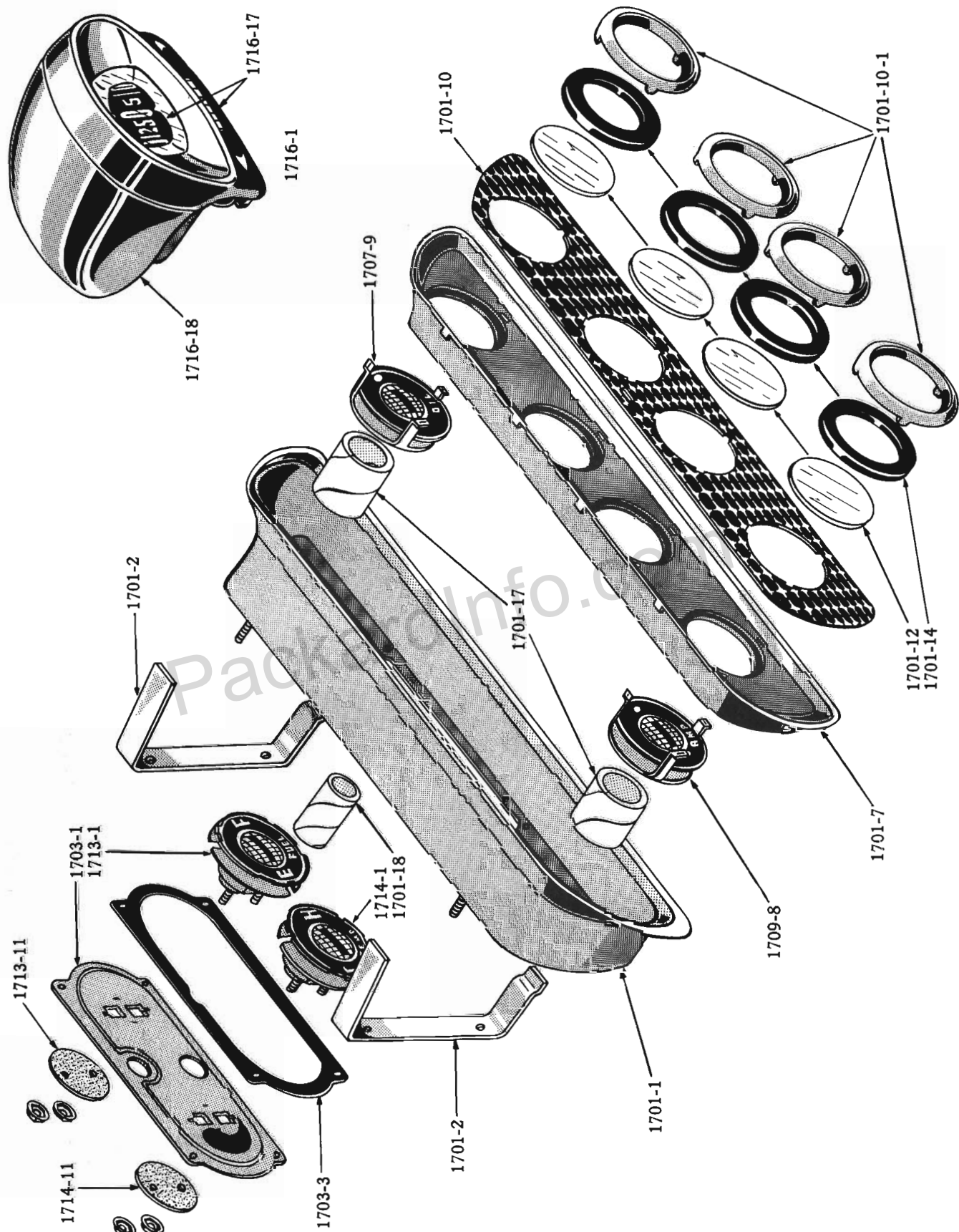
C-3220

**SPEEDOMETER AND INSTRUMENTS - Models 16G, 6H Except K7**

C-3240

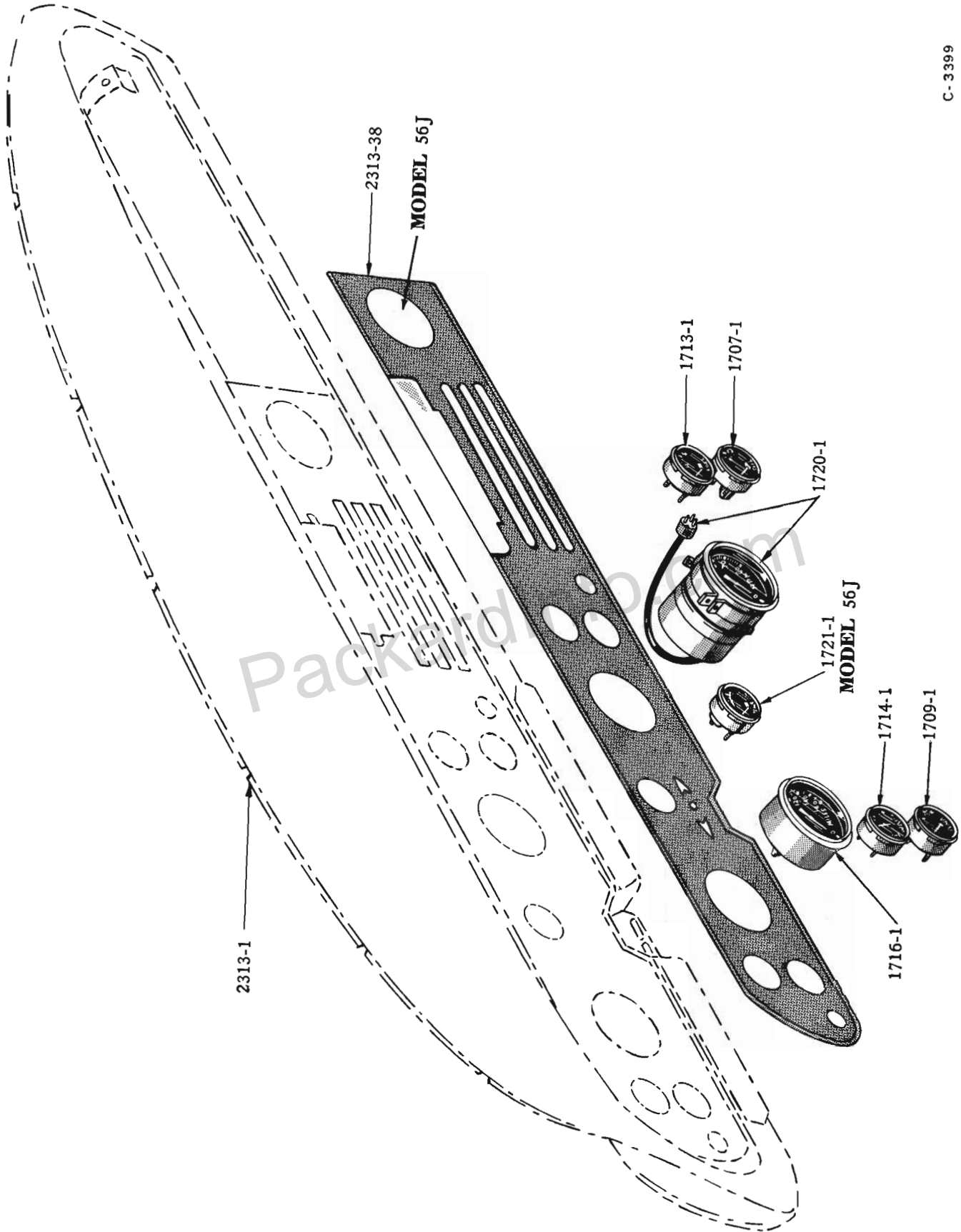


**INSTRUMENT BOARD AND INSTRUMENTS - Model 6H (K7)**

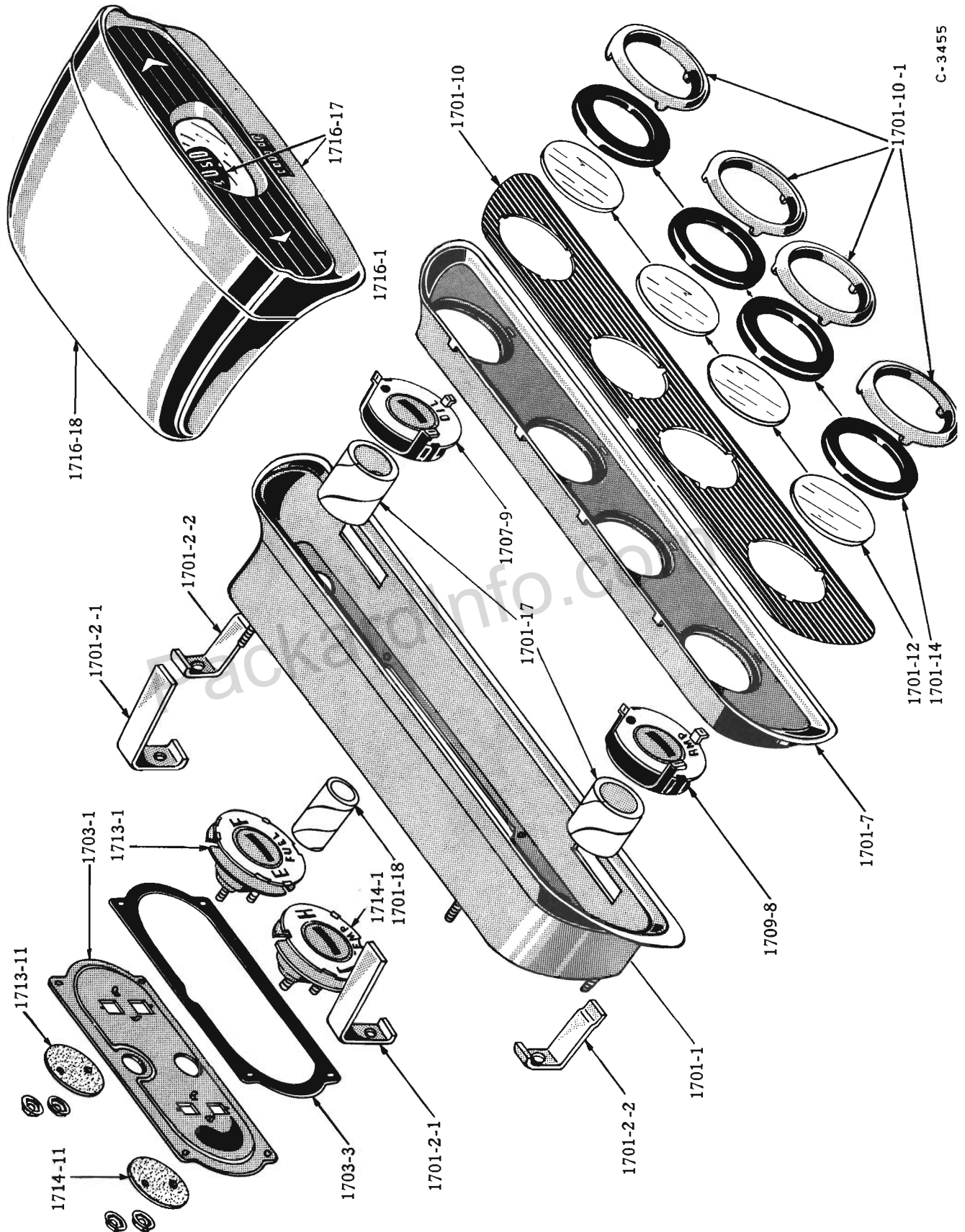


**SPEEDOMETER AND INSTRUMENTS - Models 56G, 56B, 56H (W-F-Y-D)**

C-3399



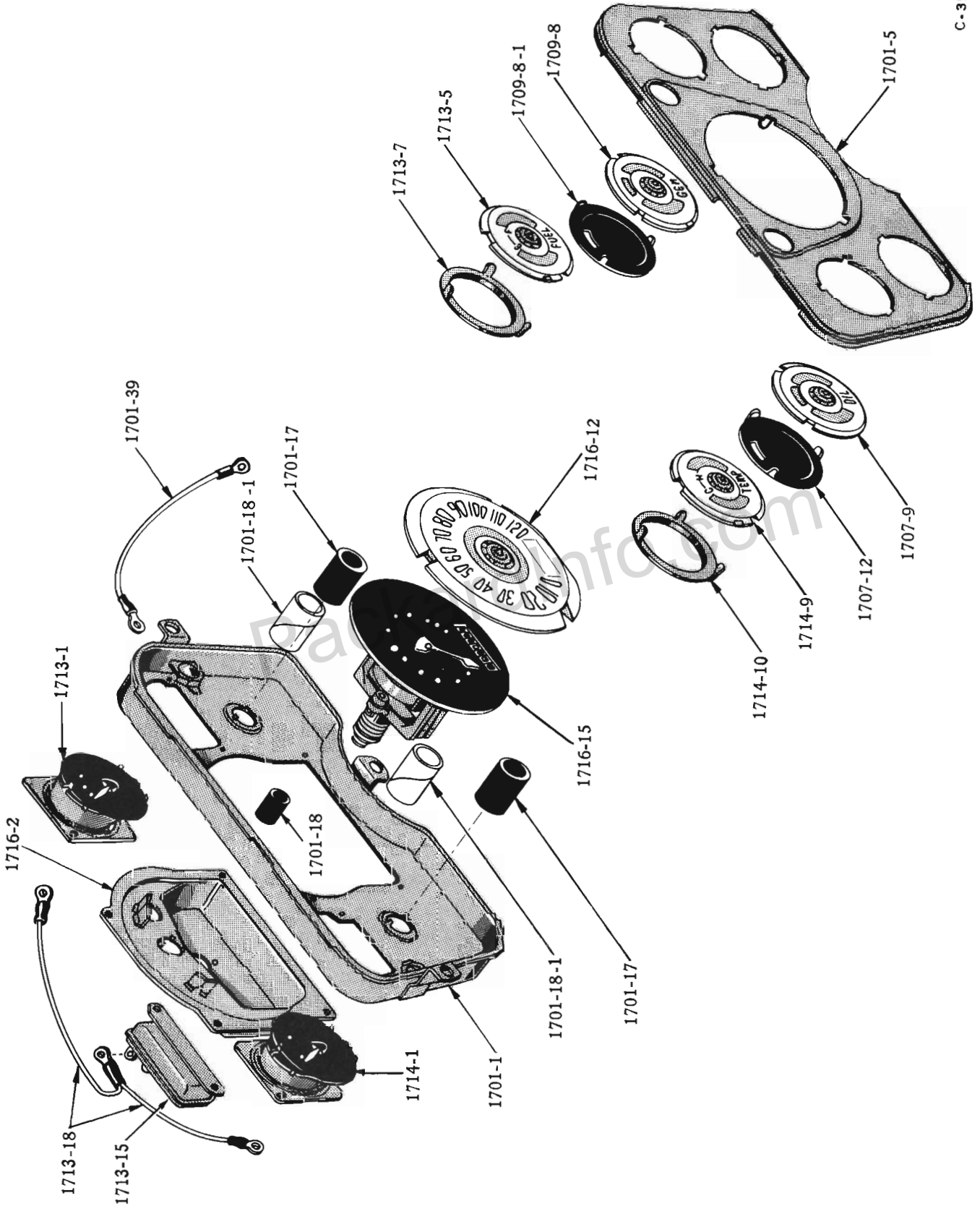
INSTRUMENT BOARD and INSTRUMENTS - Series 56, 57 (C-K)



C-3455

**SPEEDOMETER and INSTRUMENTS - Models 57G, 57B, 57H (W-F-Y-D-P)**

C-3506



**SPEEDOMETER and INSTRUMENTS - Model 57L**

# SPEEDOMETER AND INSTRUMENTS

1701

ILLUST. NUMBER	PART NUMBER	CHANGE	DESCRIPTION	MODELS	PER CAR
<b>1701- INSTRUMENT PANEL (Plates 17-1, 3, 5, 6, )</b>					
1701-1	1541276		CASE, INSTRUMENTS MOUNTING - W-F-D-Y. . . . .	56G, 56B, 56H . . . . .	1
1701-2	1540107		CLAMP, TO INST. BOARD. . . . .	56G, 56B, 56H . . . . .	2
	G120614		NUT, TO BOARD No. 10-32 . . . . .	56G, 56B, 56H . . . . .	4
	G138479		WASHER, SHAKEPROOF No. 10 . . . . .	56G, 56B, 56H . . . . .	4
1701-1	1542338		CASE, INSTRUMENTS MOUNTING - W-F-D-P-Y. . . . .	57G, 57B, 57H . . . . .	1
1701-2-1	1542184		CLAMP, UPPER, TO INST. BOARD . . . . .	57G, 57B, 57H . . . . .	2
1701-2-2	1542185		CLAMP, LOWER, TO INST. BOARD . . . . .	57G, 57B, 57H . . . . .	2
	G144562		NUT, TO BOARD No. 10-32 . . . . .	57G, 57B, 57H . . . . .	4
1701-1	1543709		CASE, INSTRUMENTS MOUNTING. . . . .	57L . . . . .	1
	G271166		NUT AND WASHER, TO BOARD No. 10-24 . . . . .	57L . . . . .	3
1701-5	1543712		PLATE, INSTRUMENTS DIAL FACE MOUNTING . . . . .	57L . . . . .	1
1701-7	536851	†	BEZEL w/EMBLEM, INSTRUMENTS . . . . .	16G6 . . . . .	1
1701-7	536852	†	BEZEL w/EMBLEM, INSTRUMENTS . . . . .	16G8 . . . . .	1
1701-7	536853	†	BEZEL w/EMBLEM, INSTRUMENTS - EXCEPT K7 . . . . .	6H . . . . .	1
1701-7	1541278		BEZEL, INSTRUMENTS MTG. CASE - W-F-D-P-Y. . . . .	56G, 56B, 56H, 57G, 57B, 57H . . . . .	1
	1501X28		SCREW, TO INST. BOARD No. 10-24X3/8" . . . . .	16G, 6H . . . . .	4
	299956		SCREW, TO INST. BOARD No. 10X3/8" (CALIF.) . . . . .	16G, 6H . . . . .	4
	536855	†	EMBLEM, INSTRUMENTS BEZEL "S" . . . . .	16G6 . . . . .	1
1701-9	533669	†	EMBLEM, INSTRUMENTS BEZEL "V8" . . . . .	16G8 . . . . .	1
	536635	†	EMBLEM, INSTRUMENTS BEZEL "PRESIDENT" - EXCEPT K7 . . . . .	6H . . . . .	1
1701-10	1541277		PLATE, INSTS. BACKGROUND - W-F-D (SILVER STARS) . . . . .	56G, 56B . . . . .	1
1701-10	1540833		PLATE, INSTS. BACKGROUND - W-F-D-Y (GOLD STARS) . . . . .	56H . . . . .	1
1701-10	1542339		PLATE, INSTS. BACKGROUND - W-F-D-P-Y . . . . .	57G, 57B, 57H . . . . .	1
1701-10-1	1541280		BEZEL, INSTRUMENTS BACKGROUND PLATE - W-F-D-P-Y . . . . .	56G, 56B, 56H, 57G, 57B, 57H . . . . .	4
1701-12	1541282		GLASS, INSTRUMENTS BACKGROUND PLATE - W-F-D-P-Y . . . . .	56G, 56B, 56H, 57G, 57B, 57H . . . . .	4
1701-14	1541281		GASKET, INSTS. BACKGROUND PLATE GLASS - W-F-D-P-Y . . . . .	56G, 56B, 56H, 57G, 57B, 57H . . . . .	4
1701-17	1541283		SHIELD, OIL AND AMMETER INDICATOR LIGHTS } W-F-D-P-Y . . . . .	56G, 56B, 56H, 57G, 57B, 57H . . . . .	2
1701-18	1541279		SHIELD, BRIGHT LIGHT TELL TALE LIGHT . . . . .	56G, 56B, 56H, 57G, 57B, 57H . . . . .	1
1701-17	474056		SHIELD, OIL AND AMMETER INDICATOR LIGHTS. . . . .	57L . . . . .	2
1701-18	474056		SHIELD, BRIGHT LIGHT TELL TALE LIGHT . . . . .	57L . . . . .	1
1701-18-1	474055		SHIELD, GAS AND TEMPERATURE GAGE LIGHT. . . . .	57L . . . . .	2
1701-19	536856		SHIELD, DIRECTIONAL LIGHTS 23/32" LONG. . . . .	16G, 6H . . . . .	3
1701-19	537874		SHIELD, DIRECTIONAL LIGHTS 21/32" LONG. . . . .	ALL EXCEPT 57L. . . . .	3
1701-20	537336		BRACKET, DIRECTIONAL LIGHTS SHIELD - EXCEPT K7. . . . .	16G, 6H . . . . .	1
	1312923		BRACKET, DIRECTIONAL LIGHTS SHIELD - C-K. . . . .	56G, 56B, 56H, 56J, 57G, 57B, 57H . . . . .	1
	G449609		SCREW, TO BEZEL No. 8X1/4" . . . . .	16G, 6H . . . . .	2
	1539916		COVER, DIRECTIONAL LIGHTS SHIELD - C-K . . . . .	56G, 56B, 56H, 57J, 57G, 57B, 57H . . . . .	1
	G161629		SCREW, TO BRACKET No. 8-15X1/2" . . . . .	56G, 56B, 56H, 57J, 57G, 57B, 57H . . . . .	2
	1540269		CABLE, DIRECTIONAL LIGHTS SHIELD COVER GROUND - C-K . . . . .	56G, 56B, 56H, 56J, 57G, 57B, 57H . . . . .	1
1701-39	1543674		CABLE, INSTS. CLUSTER GROUND. . . . .	57L . . . . .	1
	536858		DISC. BRIGHT LIGHT SIGNAL LIGHT - RED . . . . .	ALL MODELS . . . . .	1
	536859		DISC. DIRECTIONAL LIGHTS SIGNAL LIGHT - GREEN . . . . .	ALL MODELS . . . . .	2
	....		★SOCKETS AND CABLES, INST. PANEL LAMP } PART OF		
	....		★SOCKETS AND CABLES, BRIGHT LIGHT } CHASSIS WIRING		
			SIGNAL LAMP . . . . .		
			† - FOR CARS WITH CONVENTIONAL TYPE WINDSHIELD.		
			★ - Use 1 EACH 192601 CABLE AND SOCKET AND 192545		
			CONNECTOR FOR REPLACEMENT OF BROKEN OR		
			DAMAGED SOCKET.		

# SPEEDOMETER AND INSTRUMENTS

ILLUST. NUMBER	PART NUMBER	CHANGE	DESCRIPTION	MODELS	PER CAR
<b>1701- INSTRUMENT PANEL-Cont'd. (Plates 17-1, 3, 5, 6)</b>					
	188659		BULB. INSTS. AND BRIGHT LIGHT SIGNAL LAMP - #51 . . .	16G, 6H . . . . .	5
	G127934		BULB. INST. PANEL LAMP - #57 . . . . .	56G, 56B, 56H, 56J, 57G, 57B, 57H, . . . . .	5
	G131282		BULB. BRIGHT LIGHT SIGNAL LAMP - #53 . . . . .	56G, 56B, 56H, 56J. . . . .	1
	G131282		BULB. OIL AND AMMETER INDICATOR LAMP - W-F-D-Y #53.	56G, 56B, 56H. . . . .	2
	1541674		BULB. BRIGHT LIGHT SIGNAL LAMP - #1445. . . . .	57G, 57B, 57H, 57L. . . . .	1
	1541674		BULB. OIL AND AMMETER INDICATOR LAMP - W-F-D-P-Y #1445 . . . . .		
	G127934		BULB. INST. PANEL LAMP #57. . . . .	57G, 57B, 57H. . . . .	2
				57L. . . . .	4
	308196P	†	SHROUD, RIGHT, INSTRUMENTS CLUSTER - EXCEPT K7. . .	16G, 6H . . . . .	1
1701-43	308197P	†	SHROUD, LEFT, INSTRUMENTS CLUSTER - EXCEPT K7 . . .	16G, 6H . . . . .	1
	G156762		SCREW, TO BEZEL - No. 8-32X3/16" . . . . .	16G, 6H . . . . .	8
	1743X16		SPEED NUT No. 8 . . . . .	16G, 6H . . . . .	8
<b>1702- COMBINATION OIL GAGE, AMMETER, GASOLINE GAGE AND RADIMETER (Plate 17-1)</b>					
	....		OIL GAGE - SEE GROUP 1704 . . . . .	16G, 6H . . . . .	1
	....		AMMETER - SEE GROUP 1709. . . . .	16G, 6H . . . . .	1
	....		GASOLINE GAGE - SEE GROUP 1713. . . . .	16G, 6H . . . . .	1
	....		RADIMETER - SEE GROUP 1714. . . . .	16G, 6H . . . . .	1
1702-2	536863	†	CASE, INSTRUMENTS MOUNTING - EXCEPT K7. . . . .	16G, 6H . . . . .	1
1702-3	536862	†	CLAMP, TO INST. BEZEL. . . . .	16G, 6H . . . . .	2
1702-2	536912	#	CASE, INSTRUMENTS MOUNTING. . . . .	16G, 6H . . . . .	1
1702-3	536910	#	CLAMP, RIGHT TO INST. BOARD. . . . .	16G, 6H . . . . .	1
1702-3	536911	#	CLAMP, LEFT TO INST. BOARD. . . . .	16G, 6H . . . . .	1
1702-4	526724		STUD, TO CASE No. 10-32X15/16" . . . . .	16G, 6H . . . . .	2
	G120614		NUT, HEX, No. 10-32 . . . . .	16G, 6H . . . . .	2
	G138479		WASHER, SHAKEPROOF No. 10 . . . . .	16G, 6H . . . . .	2
	537921		GASKET, INSTS. MOUNTING TO CASE - EXCEPT K7 . . . .	16G, 6H . . . . .	1
1702-5	536866	†	BEZEL, INSTRUMENTS MTG. CASE - EXCEPT K7. . . . .	16G, 6H . . . . .	1
1702-5	536909	#	BEZEL, INSTRUMENTS MTG. CASE. . . . .	16G, 6H . . . . .	1
1702-6	536867		GASKET, BEZEL TO GLASS . . . . .	16G, 6H . . . . .	1
1702-7	536868		GLASS, INSTRUMENTS MTG. CASE OUTER - EXCEPT K7. . .	16G, 6H . . . . .	1
1702-9	526142		GASKET, GLASS TO CASE . . . . .	16G, 6H . . . . .	1
1702-9-1	536869		BUTTON, INSTS. MTG. CASE OUTER GLASS - EXCEPT K7. .	16G. . . . .	1
	536870		WASHER, PLAIN - RUBBER . . . . .	16G. . . . .	1
	1651X7		WASHER, SPRING . . . . .	16G. . . . .	1
1702-9-2	536871		PYLON, INSTS. MTG. CASE OUTER GLASS - EXCEPT K7 . .	6H . . . . .	1
	536872		STUD, TO GLASS No. 6-32X7/16". . . . .	6H . . . . .	1
	536873		WASHER, SPRING 9/16" I.D. . . . .	6H . . . . .	1
	537716		WASHER, PLAIN - RUBBER . . . . .	6H . . . . .	1
	536875		WASHER, PLAIN - FIBRE 5/8" O.D. . . . .	6H . . . . .	1
	537716		WASHER, PLAIN - RUBBER . . . . .	6H . . . . .	1
	537717		WASHER, CUP 11/16" O.D. . . . .	6H . . . . .	1
	537718		SPACER, STUD - PLASTIC . . . . .	6H . . . . .	1
1702-11	536876		SHROUD, INSTRUMENTS MTG. CASE - EXCEPT K7 . . . .	16G, 6H . . . . .	1
1702-15	536879		DIAL FACE, INSTRUMENTS - EXCEPT K7. . . . .	16G, 6H . . . . .	1
1702-17	536878		GASKET, INSTRUMENTS DIAL FACE - EXCEPT K7 . . . . .	16G, 6H . . . . .	1
1702-18	536877		RETAINER, GASKET . . . . .	16G, 6H . . . . .	1
1702-20	536880		MAT AND SUB-DIAL, INSTRUMENTS - EXCEPT K7 . . . . .	16G, 6H . . . . .	1

† - FOR CARS WITH CONVENTIONAL TYPE WINDSHIELD.  
 # - FOR CARS WITH WRAP-AROUND TYPE WINDSHIELD.



# SPEEDOMETER AND INSTRUMENTS

1709

ILLUST. NUMBER	PART NUMBER	CHANGE <input checked="" type="checkbox"/>	DESCRIPTION	MODELS	PER CAR
<b>1703- COMBINATION GASOLINE GAGE AND RADIMETER (Plates 17-3, 5)</b>					
	....		GASOLINE GAGE - SEE GROUP 1713 . . . . .	56G, 56B, 56H . . . . .	1
	....		RADIMETER - SEE GROUP 1714 . . . . .	56G, 56B, 56H . . . . .	1
1703-1	1541288 G178714		PLATE, GAS GAGE AND RADIMETER MOUNTING - W-F-D-P-Y SCREW, TO CASE No. 8-32X1/4" . . . . .	56G, 56B, 56H, 57G, 57B, 57H . . 56G, 56B, 56H, 57G, 57B, 57H . .	1 4
1703-3	1541289		GASKET, GAS GAGE AND RADIMETER PLATE - W-F-D-P-Y .	56G, 56B, 56H, 57G, 57B, 57H . .	1
<b>1707- OIL PRESSURE GAGE (Plates 17-1 thru 6)</b>					
1707-1	536932		GAGE, OIL PRESSURE - EXCEPT K7 . . . . .	16G, 6H. . . . .	1
1707-3	....		NUT, TO MTG. PLATE 1/2" . . . . .	16G, 6H. . . . .	1
1707-1	536839		GAGE, OIL PRESSURE - K7 (INCLS. MTG. BRACKET). . .	6H. . . . .	1
	....		GAGE, OIL PRESSURE - W-F-D-P-Y (SEE DIAL FACE.). .	56G, 56B, 56H, 57G, 57B, 57H, 57L	1
1707-1	1539878 G120614		GAGE, OIL PRESSURE - C-K . . . . .	56G, 56B, 56H, 56J, 57G, 57B, 57H	1
			NUT, TERMINAL No. 10-32 . . . . .	EXCEPT 16G. . . . .	2
1707-5	537589		ADAPTER, GAGE TO PIPE RESTRICTED - K7. . . . .	6H. . . . .	1
1707-5	537589		ADAPTER, GAGE TO PIPE RESTRICTED - C-K . . . . .	56G, 56B, 56H, 56J, 57G, 57B, 57H	1
1707-7	1540118 G120614 G138479		BRACKET OR CASE, OIL PRESSURE AND GAS GAGE - C-K .	56G, 56B, 56H, 56J, 57G, 57B, 57H	1
			NUT, TO GAGE No. 10-32. . . . .	56G, 56B, 56H, 56J, 57G, 57B, 57H	2
			WASHER, SHAKEPROOF No. 10 . . . . .	56G, 56B, 56H, 56J, 57G, 57B, 57H	2
	....		PLATE, OIL PRESSURE GAGE MTG. - SEE GROUP 1709 .	16G, 6H. . . . .	1
	....		DIAL FACE, OIL PRESSURE GAGE - SEE GROUP 1702. . .	16G, 6H. . . . .	1
1707-9	1541285		DIAL FACE, OIL PRESSURE GAGE - W-F-D-Y . . . . .	56G, 56B, 56H . . . . .	1
1707-9	1542341		DIAL FACE, OIL PRESSURE GAGE - W-F-D-P-Y . . . . .	57G, 57B, 57H . . . . .	1
1707-9	6484340		DIAL FACE, OIL PRESSURE GAGE . . . . .	57L . . . . .	1
1707-12	6484346		MASK, OIL PRESSURE GAGE DIAL . . . . .	57L . . . . .	1
<b>1709- AMMETER (Plates 17-1 thru 6)</b>					
1709-1	536931		AMMETER - EXCEPT K7. . . . .	16G, 6H. . . . .	1
1709-3	526970 G120614 G120391 G120217		NUT, TO MTG. PLATE No. 10-32. . . . .	16G, 6H. . . . .	2
			NUT, TERMINAL No. 10-32 . . . . .	16G, 6H. . . . .	2
			WASHER, PLAIN No. 10 . . . . .	16G, 6H. . . . .	2
			WASHER, LOCK No. 10. . . . .	16G, 6H. . . . .	2
1709-1	536836		AMMETER - K7 (INCLS. MTG. BRACKET) . . . . .	6H. . . . .	1
	....		AMMETER - W-F-D-P-Y (SEE DIAL FACE). . . . .	56G, 56B, 56H, 57G, 57B, 57H, 57L	1
1709-1	1539877 G120614 G138479		AMMETER - C-K. . . . .	56G, 56B, 56H, 56J, 57G, 57B, 57H	1
			NUT, TERMINAL No. 10-32 . . . . .	ALL EXCEPT 16G. . . . .	2
			WASHER, SHAKEPROOF No. 10. . . . .	ALL EXCEPT 16G. . . . .	2
1709-7	537017 G132892		PLATE, AMMETER AND OIL GAGE MTG. - EXCEPT K7 . .	16G, 6H. . . . .	1
			SCREW, TO CASE No. 10-32X1/4" . . . . .	16G, 6H. . . . .	1
1709-7	1540118 G120614 G138479		BRACKET OR CASE, AMMETER AND RADIMETER MTG. - C-K.	56G, 56B, 56H, 56J, 57G, 57B, 57H	1
			NUT, TO AMMETER No. 10-32 . . . . .	56G, 56B, 56H, 56J, 57G, 57B, 57H	2
			WASHER, SHAKEPROOF No. 10. . . . .	56G, 56B, 56H, 56J, 57G, 57B, 57H	2
	....		DIAL FACE, AMMETER - SEE GROUP 1702. . . . .	16G, 6H. . . . .	1
1709-8	1541284		DIAL FACE, AMMETER - W-F-D-Y . . . . .	56G, 56B, 56H . . . . .	1
1709-8	1542340		DIAL FACE, AMMETER - W-F-D-P-Y . . . . .	57G, 57B, 57H . . . . .	1
1709-8	6484341		DIAL FACE. . . . .	57L . . . . .	1
1709-8-1	6484346		MASK, AMMETER DIAL . . . . .	57L . . . . .	1
1709-9	173170		INSULATOR, AMMETER POST - PORCELAIN - EXCEPT K7. .	16G, 6H. . . . .	2
1709-10	536933		INSULATOR, AMMETER POST - FIBRE - EXCEPT K7. . .	16G, 6H. . . . .	1

## SPEEDOMETER AND INSTRUMENTS

ILLUST. NUMBER	PART NUMBER	CHANGE ✓	DESCRIPTION	MODELS	PRR CAR
<b>1713- GASOLINE GAGE (Plates 17-1 thru 6)</b>					
1713-1	536929		GAGE, GASOLINE - EXCEPT K7 . . . . .	16G.6H . . . . .	1
1713-3	526970		NUT, TO MTG. PLATE No. 10-32 . . . . .	16G.6H . . . . .	2
	G120614		NUT, TERMINAL No. 10-32 . . . . .	16G.6H . . . . .	2
	G120391		WASHER, PLAIN No. 10 . . . . .	16G.6H . . . . .	2
	G120217		WASHER, LOCK No. 10. . . . .	16G.6H . . . . .	2
1713-1	536838		GAGE, GASOLINE - K7 (INCLS. MTG. BRACKET). . . . .	6H . . . . .	1
1713-1	1541286		GAGE, GASOLINE - W-F-D-Y . . . . .	56G.56B.56H. . . . .	1
1713-1	1542342		GAGE, GASOLINE - W-F-D-P-Y . . . . .	57G.57B.57H. . . . .	1
1713-1	1539880		GAGE, GASOLINE - C-K . . . . .	56G.56B.56H.56J.57G.57B.57H	1
	526970		NUT, TO MTG. PLATE W-F-D-Y. . . . .	56G.56B.56H.57G.57B.57H. . . . .	2
	G120614		NUT, TERMINAL No. 10-32 . . . . .	ALL EXCEPT 16G.57L . . . . .	2
	G138479		WASHER, SHAKEPROOF No. 10 . . . . .	ALL EXCEPT 16G.57L . . . . .	2
1713-1	6484332		GAGE, GASOLINE (INCLS. MTG. PLATE) . . . . .	57L. . . . .	1
	G131954		SCREW, TO CASE No. 8-32X1/4" . . . . .	57L. . . . .	2
	410002		NUT, TERMINAL No. 10-32 . . . . .	57L. . . . .	2
	----		PLATE, GAS GAGE AND RADIMETER MTG. - SEE GROUP 1714. . . . .	16G.6H . . . . .	1
1707-7	----		BRACKET, GAS GAGE MTG. - C-K- SEE GROUP 1707 . . . . .	56G.56B.56H.56J.57G.57B.57H	1
	G120614		NUT, TO GAGE No. 10-32. . . . .	56G.56B.56H.56J.57G.57B.57H	2
	G138479		WASHER, SHAKEPROOF No. 10. . . . .	56G.56B.56H.56J.57G.57B.57H	2
	----		DIAL FACE, GAS GAGE - SEE GROUP 1702 . . . . .	16G.6H . . . . .	1
1713-5	6484348		DIAL FACE, GAS GAGE . . . . .	57L. . . . .	1
1713-7	6484336		MASK, GAS GAGE DIAL . . . . .	57L. . . . .	1
1714-11	----		INSULATOR, GAS GAGE POST - SEE GROUP 1714. . . . .	16G.6H . . . . .	1
1713-11	683507		INSULATOR, GAS GAGE POST - W-F-D-P-Y . . . . .	56G.56B.56H.57G.57B.57H. . . . .	1
1713-15	458072		REGULATOR, GAS AND TEMPERATURE GAGES VOLTAGE . . . . .	57L. . . . .	1
	G131954		SCREW, TO SPEEDO, CASE No.8-32X1/4" . . . . .	57L. . . . .	2
	G228321		SCREW AND WASHER, TERMINAL No. 8-32X3/8" . . . . .	57L. . . . .	2
1713-18	474082		CABLE, REGULATOR TO GAS AND TEMPERATURE GAGES. . . . .	57L. . . . .	1
	G120614		NUT, TERMINAL No. 10-32 . . . . .	57L. . . . .	2
<b>1714- RADIMETER OR WATER TEMPERATURE INDICATOR (Plates 17-1 thru 6)</b>					
1714-1	536930		RADIMETER - DASH UNIT - EXCEPT K7. . . . .	16G.6H . . . . .	1
1714-3	526970		NUT, TO MTG. PLATE No. 10-32. . . . .	16G.6H . . . . .	2
	G120614		NUT, TERMINAL No. 10-32 . . . . .	16G.6H . . . . .	2
	G120391		WASHER, PLAIN No. 10 . . . . .	16G.6H . . . . .	2
	G120217		WASHER, LOCK No. 10. . . . .	16G.6H . . . . .	2
1714-1	536837		RADIMETER - DASH UNIT - K7 (INCLS. MTG. BRACKET) . . . . .	6H . . . . .	1
1714-1	1541287		RADIMETER - DASH UNIT - W-F-D-Y. . . . .	56G.56B.56H. . . . .	1
1714-1	1542343		RADIMETER - DASH UNIT - W-F-D-P-Y . . . . .	57G.57B.57H. . . . .	1
1714-1	1539879		RADIMETER - DASH UNIT - C-K. . . . .	56G.56B.56H.56J.57G.57B.57H.	1
	526970		NUT, TO MTG. PLATE No. 10-32 - W-F-D-P-Y. . . . .	56G.56B.56H.57G.57B.57H. . . . .	2
	G120614		NUT, TERMINAL No. 10-32 . . . . .	ALL EXCEPT 16G.57L . . . . .	2
	G138479		WASHER, SHAKEPROOF No. 10 . . . . .	ALL EXCEPT 16G.57L . . . . .	2
1714-1	6484335		RADIMETER - DASH UNIT . . . . .	57L. . . . .	1
	G131954		SCREW, TO CASE No. 8-32X1/4" . . . . .	57L. . . . .	2
	410002		NUT, TERMINAL No. 10-32 . . . . .	57L. . . . .	2
1714-9	537016		PLATE, RADIMETER AND GAS GAGE MTG. - EXCEPT K7 . . . . .	16G.6H . . . . .	1
	G132892		SCREW, TO CASE No. 10-32X1/4" . . . . .	16G.6H . . . . .	1
1709-7	----		BRACKET, RADIMETER MTG. - C-K (SEE GROUP 1709) . . . . .	56G.56B.56H.56J.57G.57B.57H.	1
	G120614		NUT, TO RADIMETER No. 10-32 . . . . .	56G.56B.56H.56J.57G.57B.57H.	2
	G138479		WASHER, SHAKEPROOF No. 10 . . . . .	56G.56B.56H.56J.57G.57B.57H.	2

# SPEEDOMETER AND INSTRUMENTS

1716

ILLUST. NUMBER	PART NUMBER	CHANGE	DESCRIPTION	MODELS	PER CAR
<b>1714- RADIMETER OR WATER TEMPERATURE INDICATOR-</b>					
Cont'd. (Plates 17-1 thru 6)					
1714-9	6484339		DIAL FACE, RADIMETER - SEE GROUP 1702 . . . . .	16G, 6H . . . . .	1
			DIAL FACE, RADIMETER . . . . .	57L . . . . .	1
1714-10	6484336		MASK, RADIMETER DIAL . . . . .	57L . . . . .	1
1714-11	526971		INSULATOR, RADIMETER AND GAS GAGE POST -		
			EXCEPT K7 . . . . .	16G, 6H . . . . .	1
1714-11	683507		INSULATOR, RADIMETER POST - W-F-D-P-Y . . . . .	56G, 56B, 56H, 57G, 57B, 57H. . . . .	1
1713-15	----		REGULATOR, RADIMETER VOLTAGE (SEE GROUP 1713) . . . . .	57L . . . . .	1
1713-18	----		CABLE, REGULATOR TO RADIMETER (SEE GROUP 1713). . . . .	57L . . . . .	1
<b>1716- SPEEDOMETER AND DRIVE PARTS</b>					
(Plates 17-1 thru 6)					
1716-1	536844	†	SPEEDOMETER (HEAD) MILES . . . . .	16G . . . . .	1
	536845	†	SPEEDOMETER (HEAD) METRIC . . . . .	16G . . . . .	1
1716-1	536842	†	SPEEDOMETER (HEAD) MILES. } EXCEPT K7	6H . . . . .	1
	536843	†	SPEEDOMETER (HEAD) METRIC . . . . .	6H . . . . .	1
1716-1	536914	‡	SPEEDOMETER (HEAD) MILES . . . . .	16G . . . . .	1
	536915	‡	SPEEDOMETER (HEAD) METRIC . . . . .	16G . . . . .	1
1716-1	536916	‡	SPEEDOMETER (HEAD) MILES . . . . .	6H . . . . .	1
	536917	‡	SPEEDOMETER (HEAD) METRIC . . . . .	6H . . . . .	1
1716-1-1	536887	†	CLAMP, TO INSTS. BEZEL - EXCEPT K7 . . . . .	16G, 6H . . . . .	2
	536918	‡	CLAMP, RIGHT, TO INSTS. BOARD . . . . .	16G, 6H . . . . .	1
	536919	‡	CLAMP, LEFT, TO INSTS. BOARD . . . . .	16G, 6H . . . . .	1
	526724		STUD, TO HEAD No. 10-32X15/16" . . . . .	16G, 6H . . . . .	2
	G120614		NUT, HEX. No. 10-32 . . . . .	16G, 6H . . . . .	2
	G138479		WASHER, SHAKEPROOF No. 10 . . . . .	16G, 6H . . . . .	2
1716-1	536832		SPEEDOMETER (HEAD) MILES - K7 } INCLS. MTG. . . . .	6H . . . . .	1
	537556		SPEEDOMETER (HEAD) METRIC - K7 } BRACKET . . . . .	6H . . . . .	1
	G120614		NUT, TO BRACKET No. 10-32. . . . .	6H . . . . .	2
	G138479		WASHER, SHAKEPROOF No. 10 . . . . .	6H . . . . .	2
1716-1	1539481P		SPEEDOMETER (HEAD) MILES - LHC } . . . . .	56G, 56B, 56H. . . . .	1
	1540104P		SPEEDOMETER (HEAD) MILES - RHC } . . . . .	56G, 56B, 56H. . . . .	1
1716-1	1540105P		SPEEDOMETER (HEAD) MILES - LHC } W-F-D-Y . . . . .	56G, 56B, 56H. . . . .	1
	1540106P		SPEEDOMETER (HEAD) METRIC - RHC } . . . . .	56G, 56B, 56H. . . . .	1
1716-1	1541823P		SPEEDOMETER (HEAD) MILES - LHC } . . . . .	57G, 57B, 57H. . . . .	1
	1542159P		SPEEDOMETER (HEAD) MILES - RHC } W-F-D-P-Y . . . . .	57G, 57B, 57H. . . . .	1
1716-1	1541824P		SPEEDOMETER (HEAD) METRIC - LHC } . . . . .	57G, 57B, 57H. . . . .	1
	1542160P		SPEEDOMETER (HEAD) METRIC - RHC } . . . . .	57G, 57B, 57H. . . . .	1
1716-1	1540115		SPEEDOMETER (HEAD) MILES - C-K . . . . .	56G, 56B, 56H. . . . .	1
	1540116		SPEEDOMETER (HEAD) METRIC - C-K . . . . .	56G, 56B, 56H. . . . .	1
1716-1	1540115		SPEEDOMETER (HEAD) MILES - C-K3 . . . . .	57G, 57B, 57H. . . . .	1
	1540116		SPEEDOMETER (HEAD) METRIC - C-K3. . . . .	57G, 57B, 57H. . . . .	1
1716-1	1539884		SPEEDOMETER (HEAD) MILES - K7 . . . . .	56J, 57H. . . . .	1
	1539885		SPEEDOMETER (HEAD) METRIC - K7. . . . .	56J, 57H. . . . .	1
	G440426		SCREW AND WASHER, TO INST. BOARD No. 10-24X5/16" - W-F-D-P-Y. . . . .	56G, 56B, 56H, 57G, 57B, 57H. . . . .	4
1716-2.15	6484344		SPEEDOMETER (HEAD) MILES . . . . .	57L . . . . .	1
	6484345		SPEEDOMETER (HEAD) METRIC . . . . .	57L . . . . .	1
	G131954		SCREW TO INSTS. CASE No. 8-32X1/4" . . . . .	57L . . . . .	5
1716-1-2	1540117		BRACKET, SPEEDOMETER MTG. - C-K . . . . .	56G, 56B, 56H, 56J, 57G, 57B, 57H . . . . .	1
	G120614		NUT, TO SPEEDOMETER No. 10-32. . . . .	56G, 56B, 56H, 56J, 57G, 57B, 57H . . . . .	2
	G138479		WASHER, SHAKEPROOF No. 10 . . . . .	56G, 56B, 56H, 56J, 57G, 57B, 57H . . . . .	2

† - FOR CARS WITH CONVENTIONAL TYPE WINDSHIELD.  
‡ - FOR CARS WITH WRAP-AROUND TYPE WINDSHIELD.

# SPEEDOMETER AND INSTRUMENTS

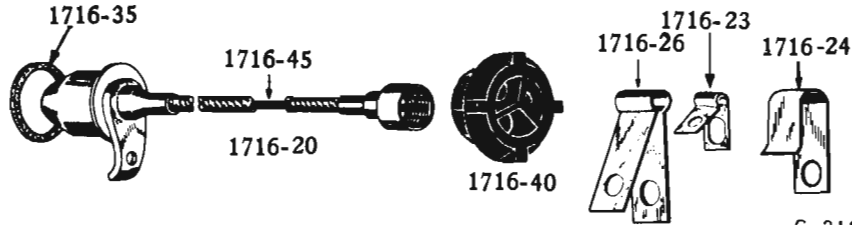
ILLUST. NUMBER	PART NUMBER	CHANGE	DESCRIPTION	MODELS	PER CAR
1716- SPEEDOMETER AND DRIVE PARTS-Cont'd. (Plates 17-1 thru 6)					
1716-2	536885	†	CASE, SPEEDOMETER BASE OR - EXCEPT K7 . . . . .	16G, 6H . . . . .	1
1716-2	536920	#	CASE, SPEEDOMETER BASE OR . . . . .	16G, 6H . . . . .	1
1716-2	474078		CASE, SPEEDOMETER . . . . .	57L . . . . .	1
1716-5	536866	†	BEZEL, SPEEDOMETER - EXCEPT K7. . . . .	16G, 6H . . . . .	1
1716-5	536909	#	BEZEL, SPEEDOMETER . . . . .	16G, 6H . . . . .	1
1716-6	536867		GASKET, BEZEL TO GLASS . . . . .	16G, 6H . . . . .	1
1716-7	536868		GLASS, SPEEDOMETER OUTER - EXCEPT K7. . . . .	16G, 6H . . . . .	1
1716-9	526142		GASKET, GLASS TO CASE . . . . .	16G, 6H . . . . .	1
1716-9-1	536869		BUTTON, SPEEDOMETER OUTER GLASS . . . . .	16G. . . . .	1
	536870		WASHER, PLAIN - RUBBER . . . . .	16G. . . . .	1
	1651X7		WASHER, SPRING . . . . .	16G. . . . .	1
1716-9-2	536871		PYLON, SPEEDOMETER OUTER GLASS - EXCEPT K7. . . . .	6H . . . . .	1
	536872		STUD, TO GLASS No. 6-32X7/16" . . . . .	6H . . . . .	1
	536873		WASHER, SPRING 9/16" I.D. . . . .	6H . . . . .	1
	537716		WASHER, PLAIN - RUBBER . . . . .	6H . . . . .	1
	536875		WASHER, PLAIN - FIBRE 5/8" O.D. } 1ST . . . . .	6H . . . . .	1
	537716		WASHER, PLAIN - RUBBER } TYPE . . . . .	6H . . . . .	1
	537717		WASHER, CUP 11/16" O.D. } 2ND . . . . .	6H . . . . .	1
	537718		SPACER, STUD - PLASTIC . . . . .	6H . . . . .	1
1716-11	536876		SHROUD, SPEEDOMETER - EXCEPT K7 . . . . .	16G, 6H . . . . .	1
1716-12	536888		DIAL FACE, SPEEDOMETER - MILES } EXCEPT K7 . . . . .	16G, 6H . . . . .	1
	536889		DIAL FACE, SPEEDOMETER - METRIC } . . . . .	16G, 6H . . . . .	1
1716-12	6484342		DIAL FACE, SPEEDOMETER - MILES . . . . .	57L. . . . .	1
	6484343		DIAL FACE, SPEEDOMETER - METRIC . . . . .	57L. . . . .	1
1716-13	536878		GASKET, SPEEDOMETER DIAL FACE - EXCEPT K7 . . . . .	16G, 6H . . . . .	1
1716-13-1	536877		RETAINER, GASKET . . . . .	16G, 6H . . . . .	1
1716-14	536890		MAT, SPEEDOMETER - EXCEPT K7. . . . .	16G, 6H . . . . .	1
1716-15	----		CHASSIS, SPEEDOMETER (USE SPEEDOMETER). . . . .	ALL MODELS . . . . .	1
	G178714		SCREW, TO HOUSING No. 8-32X1/4" } W-F-D-P-Y . . . . .	56G, 56B, 56H, 57G, 57B, 57H. . . . .	4
	G131949		SCREW, TO HOUSING No. 8-32X3/16" } . . . . .	56G, 56B, 56H, 57G, 57B, 57H. . . . .	2
	G110486		SCREW, TO CASE No. 10-24X3/8" . . . . .	57L. . . . .	2
	G120217		WASHER, LOCK No. 10 . . . . .	57L. . . . .	2
1716-17	1541381	●	HOUSING, FRONT, SPEEDOMETER } W-F-D-Y - LHC . . . . .	56G, 56B, 56H. . . . .	1
1716-18	1541383		HOUSING, REAR, SPEEDOMETER, } . . . . .	56G, 56B, 56H. . . . .	1
	1541380	●	HOUSING, FRONT, SPEEDOMETER } W-F-D-Y - RHC . . . . .	56G, 56B, 56H. . . . .	1
	1541382		HOUSING, REAR, SPEEDOMETER } . . . . .	56G, 56B, 56H. . . . .	1
1716-17	1542355	●	HOUSING, FRONT, SPEEDOMETER } W-F-D-P-Y -LHC . . . . .	57G, 57B, 57H. . . . .	1
1716-18	1542357		HOUSING, REAR, SPEEDOMETER } . . . . .	57G, 57B, 57H. . . . .	1
	1542354	●	HOUSING, FRONT, SPEEDOMETER } W-F-D-P-Y -RHC . . . . .	57G, 57B, 57H. . . . .	1
	1542356		HOUSING, REAR, SPEEDOMETER } . . . . .	57G, 57B, 57H. . . . .	1
	G113626		SCREW, FRONT TO REAR HOUSING No. 10-32X5/16" . . . . .	56G, 56B, 56H, 57G, 57B, 57H. . . . .	2
<p>● - INCLS. LENS, RETAINER, GASKET AND ODOMETER GLASS.                      † - FOR CARS WITH CONVENTIONAL TYPE WINDSHIELD.                      # - FOR CARS WITH WRAP-AROUND TYPE WINDSHIELD.</p>					

# SPEEDOMETER AND INSTRUMENTS

1716

ILLUST. NUMBER	PART NUMBER	CHANGE	DESCRIPTION	MODELS	PER CAR
----------------	-------------	--------	-------------	--------	---------

## 1716- SPEEDOMETER AND DRIVE PARTS-Cont'd. (Plates 17-1 thru 6)



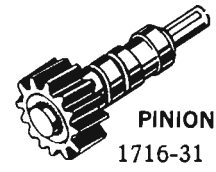
C-3184

ILLUST. NUMBER	PART NUMBER	DESCRIPTION	LENGTH	MODELS	PER CAR
1716-20	519782	SHAFT w/CORE, SPEEDO. - LHC	58"	16G6.	1
1716-20	530841	SHAFT w/CORE, SPEEDO. - RHC	52"	16G6.	1
1716-20	519782	SHAFT w/CORE, SPEEDO. - W-F-Y-D - LHC	w/ST. 58"	16G8.6H	1
1716-20	530841	SHAFT w/CORE, SPEEDO. - W-F-Y-D - RHC	52"	16G8.6H	1
1716-20	526369	SHAFT w/CORE, SPEEDO. - C-K	62"	16G8.6H	1
1716-20	526371	SHAFT w/CORE, SPEEDO. - W-F-D - LHC	55"	16G6.	1
1716-20	519782	SHAFT w/CORE, SPEEDO. - C-K - LHC	58"	16G6.	1
1716-20	519784	SHAFT w/CORE, SPEEDO. - RHC	w/OD. 70"	16G.6H.	1
1716-20	526369	SHAFT w/CORE, SPEEDO. - LHC	62"	16G8.6H	1
1716-20	526371	SHAFT w/CORE, SPEEDO. - LHC	55"	16G.	1
1716-20	527523	SHAFT w/CORE, SPEEDO. - W-F-Y-D - LHC	w/AD. 47"	16G8.6H	1
1716-20	526371	SHAFT w/CORE, SPEEDO. - C-K - LHC	55"	16G8.6H	1
	1296X252	SCREW, TO TRANSMISSION 1/4"-20X5/8"		16G.6H.	1
	G120380	WASHER, LOCK 1/4"		16G.6H.	1
1716-23	529401	CLIP, TO DASH - LHC		16G6.	2
1716-26	188000	CLIP, TO FLOOR PAN - W-F-D - RHC	w/ST.	16G6.	1
1716-26	188000	CLIP, TO DASH AND FLOOR PAN - LHC		16G8.6H	2
1716-24	182050	CLIP, TO FLOOR PAN - RHC		16G8.6H	1
	G177999	SCREW, TO DASH No. 14X1/2"		16G.6H.	*
	G133043	BOLT, TO DASH AND FLOOR PAN 1/4"-20X3/4"		16G.6H.	*
	G120375	NUT, HEX 1/4"-20"		16G.6H.	*
	G120380	WASHER, LOCK 1/4"		16G.6H.	*
1716-23	529401	CLIP, TO FLOOR PAN		16G.6H.	1
1716-23	529401	CLIP, TO DASH - W-F-D - RHC	w/O.D.	16G.	2
1716-24	182050	CLIP, TO DASH - W-F-D-Y - RHC		16G8.6H	1
	G177999	SCREW, TO DASH AND FLOOR PAN No. 14X1/2"		16G.6H.	*
	511382	CLIP, TO CONVERTER HOUSING		16G.6H.	1
	511382	CLIP, TO DASH - W-F-Y-D	w/AD.	16G8.6H	1
	G177999	SCREW, TO DASH No. 14X1/2"		16G8.6H	1
1716-20	526369	SHAFT w/CORE, SPEEDO. - LHC	62"	56G, 56B, 56H, 57G, 57B, 57H, 57L	1
1716-20	526371	SHAFT w/CORE, SPEEDO. - w/ST. - RHC	55"	56G, 56B, 56H, 57G, 57B, 57H	1
1716-20	515566	SHAFT w/CORE, SPEEDO. - w/OD. - RHC	79"	56G, 56B, 56H, 57G, 57B, 57H	1
1716-20	519784	SHAFT w/CORE, SPEEDO. - RHC	70"	57L	1
1716-20	526369	SHAFT w/CORE, SPEEDO. - w/OD.	62"	56J	1
1716-20	6421081	SHAFT w/CORE, SPEEDO. - w/AD.		56J.	1
	1296X252	SCREW, TO TRANSMISSION 1/4"-20X5/8"		ALL EXCEPT 16G, 6H	1
	G120380	WASHER, LOCK 1/4"		ALL EXCEPT 16G, 6H	1
	536795	CLIP, TO DASH - LHC	w/ST.	56G, 56B, 56H, 57G, 57B, 57H	2
1716-24	182050	CLIP, TO FLOOR PAN - RHC		56G, 56B, 56H, 57G, 57B, 57H	1
1716-23	529401	CLIP, TO FLOOR PAN - LHC		ALL EXCEPT 16G, 6H	1
	G133043	BOLT, TO PAN 1/4"-20X3/4"	w/OD. AND AD.	ALL EXCEPT 16G, 6H	1
	.....	NUT, HEX. 1/4"		ALL EXCEPT 16G, 6H	1
	G120380	WASHER, LOCK 1/4"		ALL EXCEPT 16G, 6H	1
1716-24	182050	CLIP, TO DASH - RHC		56G, 57G	2
1716-24	182050	CLIP, TO DASH - RHC	w/OD.	56B, 56H, 57B, 57H	1
	.....	SCREW, TO DASH 1/4"-14X1/2"		56G, 57G	1
	G177999	SCREW, TO DASH 1/4"-14X1/2"		56G, 56B, 56H, 57G, 57B, 57H	1
	536795	CLIP, TO DASH - RHC		57L	2

\* - USE AS REQUIRED.

# SPEEDOMETER AND INSTRUMENTS

ILLUST. NUMBER	PART NUMBER	CHANGE	DESCRIPTION	MODELS	PER CAR
<b>1716- SPEEDOMETER AND DRIVE PARTS-Cont'd.</b> (Plates 17-1 thru 6)					
1716-35	515701		GASKET, SPEEDO. SHAFT TO TRANSMISSION . . . . .	ALL MODELS . . . . .	1
1716-40	532857		GROMMET, SPEEDO. SHAFT DASH . . . . .	ALL MODELS . . . . .	1
1716-45	519783		CORE, SPEEDOMETER SHAFT - LHC . . . . .	16G6 . . . . .	1
1716-45	530842		CORE, SPEEDOMETER SHAFT - RHC . . . . .	16G6 . . . . .	1
1716-45	519783		CORE, SPEEDOMETER SHAFT - W-F-Y-D - LHC } w/ST. . . . .	16G8.6H. . . . .	1
1716-45	530842		CORE, SPEEDOMETER SHAFT - W-F-Y-D - RHC } . . . . .	16G8.6H. . . . .	1
1716-45	526370		CORE, SPEEDOMETER SHAFT - C-K . . . . .	16G8.6H. . . . .	1
1716-45	526372		CORE, SPEEDOMETER SHAFT - W-F-D - LHC . . . . .	16G6 . . . . .	1
1716-45	519783		CORE, SPEEDOMETER SHAFT - C-K - LHC . . . . .	16G6 . . . . .	1
1716-45	519785		CORE, SPEEDOMETER SHAFT - RHC . . . . .	16G.6H . . . . .	1
1716-45	526370		CORE, SPEEDOMETER SHAFT - LHC . . . . .	16G8.6H. . . . .	1
1716-45	526372		CORE, SPEEDOMETER SHAFT - LHC . . . . .	16G6 . . . . .	1
1716-45	527524		CORE, SPEEDOMETER SHAFT - W-F-Y-D - LHC } w/AD. . . . .	16G8.6H. . . . .	1
1716-45	526372		CORE, SPEEDOMETER SHAFT - C-K - LHC . . . . .	16G8.6H. . . . .	1
1716-45	526370		CORE, SPEEDOMETER SHAFT - LHC . . . . .	56G, 56B, 56H, 57G, 57B, 57H, 57L . . . . .	1
1716-45	526372		CORE, SPEEDOMETER SHAFT - W/ST. - RHC . . . . .	56G, 56B, 56H, 57G, 57B, 57H, . . . . .	1
1716-45	515567		CORE, SPEEDOMETER SHAFT - W/OD - RHC . . . . .	56G, 56B, 56H, 57G, 57B, 57H, . . . . .	1
1716-45	519785		CORE, SPEEDOMETER SHAFT - RHC . . . . .	57L . . . . .	1
1716-45	526370		CORE, SPEEDOMETER SHAFT - W/OD. . . . .	56J. . . . .	1
1716-45	526370		CORE, SPEEDOMETER SHAFT - W/AD. (USE 6421081) . . . . .	56J. . . . .	1
1716-30	----		GEAR, SPEEDO. DRIVE . . . . . } SEE SPEEDO GEAR AND PINION CHART . . . . .	ALL MODELS . . . . .	1
1716-31	----		PINION, SPEEDO. DRIVE . . . . . }	ALL MODELS . . . . .	1
1716-50	6450518		ADAPTER, SPEEDO. DRIVE PINION - W/AD. . . . . }	56J. . . . .	1
1716-51	6450274		RING, RETAINING. . . . . }	56J. . . . .	1
1716-52	6442904		PIN, LOCATING. . . . . }	56J. . . . .	1



## SPEEDOMETER GEAR AND PINION CHART

ST. - For cars with standard transmission.  
OD. - For cars with overdrive transmission.  
AD. - For cars with automatic transmission.

MODEL	TIRE SIZE	AXLE RATIO	ST.						OD.						AD.					
			TYP E	GEAR	T E H	P I N I O N	T E H	P I N I O N	T E H	P I N I O N	T E H	P I N I O N	T E H	P I N I O N	T E H	P I N I O N				
																	TYP E	GEAR	T E H	P I N I O N
16G6		3.54																		
16G6	6.40	4.1	A	520082	5	520088	16	B	520084	5	520088	16	C	531040	6	527689	23			
16G6	6.70	4.1	A	520082	5	520087	15	B	520084	5	520087	15	C	531040	6	531202	26			
16G6		4.27	A	520082	5	520088	16	B	520084	5	520088	16								
16G6		4.56	A	520082	5	520089	17	B	520084	5	520089	17								
16G6		4.88						B	520084	5	520090	18								

# SPEEDOMETER AND INSTRUMENTS

1716

ILLUST. NUMBER	PART NUMBER	CHANGE	DESCRIPTION	MODELS	PER CAR
----------------	-------------	--------	-------------	--------	---------

## 1716- SPEEDOMETER AND DRIVE PARTS-Cont'd. (Plates 17-1 thru 6)

MODEL	TIRE SIZE	AXLE RATIO	ST.				OD.				AD.						
			TYP E	GEAR	TEETH	PINION	TYP E	GEAR	TEETH	PINION	TYP E	GEAR	TEETH	PINION			
16G8		3.31															
16G8		3.54	A	529062	6	537704	16	B	529063	6	537704	16	C	537565	5	537566	18
16G8	6.70	3.73	A	529062	6	536503	17	B	529063	6	536503	17	C	531040	6	527689	23
16G8	7.10	3.73	A	529062	6	537704	16	B	529063	6	537704	16					
16G8	6.70	3.92	A	529062	6	529060	18	B	529063	6	529060	18					
16G8-6H	7.10	3.92	A	529062	6	536503	17	B	529063	6	536503	17					
16G8-6H		4.09-4.1	A	529062	6	529060	18	B	529063	6	529060	18	C	531040	6	531202	26
16G8-6H		4.27	A	529062	6	534806	19	B	529063	6	534806	19					
16G8-6H		4.55-4.56	A	529062	6	529061	20	B	529063	6	529061	20					
6H		3.07											C	537565	5	537623	17
6H - BEFORE } TRANS.		3.54											C	531040	6	527689	23
6H - AFTER } No. 7.001		3.54											C	537565	5	537620	19
56G	6.40	3.54											C	1539347	7	1539349	19
56G	6.70	3.54											C	1539347	7	1539346	18
56G		3.54											C	531040	6	527689	23
56G	6.40	4.1	A	520082	5	520088	16	B	520084	5	520088	16	C	531040	6	531202	26
56G	6.70	4.1	A	520082	5	520087	15	B	520084	5	520087	15	C	531040	6	531202	26
56G		4.56	A	520082	5	520089	17	B	520084	5	520089	17					
56G		4.88							B	520084	5	520090	18				
56B, 56H, 57B, 57H, 57L		3.07											C	1539347	7	1541357	16
56J		3.07											C	6450308	6	6450318	18
56B, 56H, 57B, 57H, 57L		3.31											C	1539347	7	1539348	17
57L		3.54											C	1539347	7	1539346	18
56B, 56H, 57B, 57H		3.54	A	529062	6	537704	16	B	529063	6	537704	16					T86 TRANS.
56B, 56H, 56J, 57B, 57H		3.54							B	1539339	6	537704	16				T85 TRANS.
56B, 57H	6.70	3.73							B	529063	6	536503	17				T86 TRANS.
57H	6.70	3.73							B	1539339	6	536503	17				T85 TRANS.
57H	7.10	3.73							B	529063	6	537704	16				T86 TRANS.
56J, 57H	7.10	3.73							B	1539339	6	537704	16				T85 TRANS.
56B, 56H, 57B, 57H	6.70	3.92	A	529062	6	529060	18	B	529063	6	529060	18					T86 TRANS.
56B, 56H, 57H	6.70	3.92							B	1539339	6	529060	18				T85 TRANS.
56B, 56H, 57B, 57H, 57L	7.10	3.92	A	529062	6	536503	17	B	529063	6	536503	17					T86 TRANS.
56B, 56H, 56J, 57H, 57L	7.10	3.92							B	1539339	6	536503	17				T85 TRANS.
56H, 56J, 57H		4.09							B	529063	6	529060	18				T86 TRANS.
56H, 57H		4.09							B	1539339	6	529060	18				T85 TRANS.
57B, 57H, 57L		4.27							B	529063	6	534806	19				T86 TRANS.
56J, 57B, 57H, 57L		4.27							B	1539339	6	534806	19				T85 TRANS.
57H, 57L		4.55							B	529063	6	529061	20				T86 TRANS.
56J, 57H, 57L		4.55							B	1539339	6	529061	20				T85 TRANS.

- - USED WITH FLIGHT-O-MATIC TRANSMISSION.
- - USED WITH STUDEBAKER AUTOMATIC TRANSMISSION.

# SPEEDOMETER AND INSTRUMENTS

ILLUST. NUMBER	PART NUMBER	CHANGE	DESCRIPTION	MODELS	PER CAR	
<b>1718- CLOCK</b>						
AC-2679			CLOCK KIT, ELECTRIC. . . . .	16G, 6H . . . . .	1	
AC-2755			CLOCK KIT, ELECTRIC - W-F-D-P-Y. . . . .	56G, 56B, 56H, 57G, 57B, 57H . . . . .	1	
AC-2756			CLOCK KIT, ELECTRIC - C-K. . . . .	56G, 56B, 56H, 56J, 57G, 57B, 57H . . . . .	1	
1543621			CLOCK, ELECTRIC. . . . .	57L. . . . .	1	
2062X1			SCREW AND WASHER, TO PANEL No. 6-32X1/4" . . . . .	16G, 6H . . . . .	2	
G134530			NUT, TO RADIO GRILLE No. 6-32 - W-F-D-P-Y . . . . .	56G, 56B, 56H, 57G, 57B, 57H . . . . .	2	
G106495			WASHER, LOCK No. 6 . . . . .	56G, 56B, 56H, 57G, 57B, 57H . . . . .	2	
G271166			NUT, TO INST. BOARD No. 10-24 . . . . .	57L. . . . .	2	
41X358			WASHER, SPACER . . . . .	57L. . . . .	2	
G134530			NUT, TERMINAL No. 6-32. . . . .	ALL EXCEPT 57L . . . . .	1	
G106495			WASHER, LOCK No. 6 . . . . .	ALL EXCEPT 57L . . . . .	1	
1540242			BRACKET, TO CLOCK MOUNTING - C-K . . . . .	56G, 56B, 56H, 56J, 57G, 57B, 57H. . . . .	2	
G120614			NUT, TO CLOCK No. 10-32 . . . . .	56G, 56B, 56H, 56J, 57G, 57B, 57H. . . . .	2	
G138479			WASHER, SHAKEPROOF No. 10 . . . . .	56G, 56B, 56H, 56J, 57G, 57B, 57H. . . . .	2	
536347W			BEZEL, CLOCK (INCL. IN AC-2679 KIT). . . . .	16G, 6H . . . . .	1	
533208			CABLE w/FUSE, CLOCK. . . . .	16G, 6H . . . . .	1	
522938			FUSE, CLOCK CABLE - 3 AMP. . . . .	16G, 6H . . . . .	1	
G149559			FUSE, CLOCK CABLE - 1 AMP. . . . .	ALL EXCEPT 16G, 6H . . . . .	1	
188659			BULB, CLOCK LIGHT . . . . .	16G, 6H . . . . .	1	
----			COVER, CLOCK HOLE - SEE GROUP 2113C, 2313C, 2513C IN BODY PARTS CATALOG . . . . .	ALL EXCEPT 57L . . . . .	1	
<b>1720- TACHOMETER (Plates 17-2, 4)</b>						
Special Orders on Models 56B, 56H, 57B, 57H-C						
1720-1	536833		TACHOMETER AND CABLE - K7 (INCL. MTG. BRACKET) . . . . .	6H . . . . .	1	
1720-1	1539881		TACHOMETER AND CABLE - C-K . . . . .	56B, 56H, 56J, 57B, 57H . . . . .	1	
	537591		BRACKET, TACHOMETER MOUNTING - K7 . . . . .	6H . . . . .	1	
	1540121		BRACKET, TACHOMETER MOUNTING - C-K . . . . .	56B, 56H, 56J, 57B, 57H . . . . .	1	
	G132124		SCREW, CLAMPING No. 10-32X3/4" . . . . .	6H, 56B, 56H, 56J, 57B, 57H . . . . .	1	
	G120614		NUT, HEX. No. 10-32 . . . . .	6H, 56B, 56H, 56J, 57B, 57H . . . . .	1	
	G138479		WASHER, SHAKEPROOF No. 10 . . . . .	6H, 56B, 56H, 56J, 57B, 57H . . . . .	1	
	536835		CABLE, TACHOMETER TO DISTRIBUTOR UNIT DRIVE - K7 . . . . .	6H . . . . .	1	
	1540123		CABLE, TACHOMETER TO DISTRIBUTOR UNIT DRIVE - C-K . . . . .	56B, 56H, 56J, 57B, 57H . . . . .	1	
	526600X3		CLIP, TO CHASSIS CABLES . . . . .	6H, 56B, 56H, 56J, 57B, 57H . . . . .	2	
	536834		DRIVE UNIT ASSY., TACHOMETER . .C-K	} MTG. UNDER DISTRIBUTOR CAP INCL. CLAMPS AND COTTERS . . . . .	6H, 56B, 56H, 57B, 57H . . . . .	1
1720-5	1540124		DRIVE UNIT ASSY., TACHOMETER . .C-K (ILLUST. PLATE 06-5)		56J. . . . .	1
	537365		CLAMP, TO DISTRIBUTOR . . . . .	6H, 56B, 56H, 57B, 57H . . . . .	2	
	1541385		CLAMP, TO DISTRIBUTOR . . . . .	56J. . . . .	2	
	----		COTTER, 1/16"X3/4" . . . . .	6H, 56B, 56H, 56J, 57B, 57H . . . . .	2	
	1541610		SOCKET AND CABLE, TACHOMETER LIGHT - C-K . . . . .	56B, 56H, 57B, 57H . . . . .	1	
	G127934		BULB, TACHOMETER LIGHT - #57 - C-K . . . . .	56B, 56H, 57B, 57H . . . . .	1	



# SPEEDOMETER AND INSTRUMENTS

1721

ILLUST. NUMBER	PART NUMBER	CHANGE	DESCRIPTION	MODELS	PER CAR
<b>1721- VACUUM GAGE (Plate 17-4)</b>					
1721-1	1539882	<input checked="" type="checkbox"/>	GAGE, VACUUM - K7 . . . . .	56J. . . . .	1
	1542823	<input type="checkbox"/>	GAGE, VACUUM - K7 . . . . .	57H. . . . .	1
	1540126	<input type="checkbox"/>	BRACKET, VACUUM GAGE MOUNTING - K7 . . . . .	56J, 57H . . . . .	2
	G120614	<input type="checkbox"/>	NUT, TO GAGE No. 10-32 . . . . .	56J, 57H . . . . .	2
	G138479	<input type="checkbox"/>	WASHER, SHAKEPROOF No. 10 . . . . .	56J, 57H . . . . .	2
	959X40	<input type="checkbox"/>	HOSE, VACUUM GAGE TO CARBURETER - K7 . . . . .	56J, 57H . . . . .	1
	532855	<input type="checkbox"/>	GROMMET, VACUUM GAGE TO CARB. HOSE DASH - K7 . . . . .	56J, 57H . . . . .	1
	G444148	<input type="checkbox"/>	TEE, GAGE TO CARB. HOSE OUTLET - CARB END. . . . .	56J. . . . .	1
	1540321	<input type="checkbox"/>	NIPPLE, PIPE. . . . .	56J. . . . .	1
	G103878	<input type="checkbox"/>	PLUG, PIPE 1/4" (LESS POWER STEERING) . . . . .	56J. . . . .	1
	1541610	<input type="checkbox"/>	SOCKET AND CABLE, VACUUM GAGE LIGHT - K7 . . . . .	57H. . . . .	1
	G127934	<input type="checkbox"/>	BULB, VACUUM GAGE LIGHT - #57 - K7 . . . . .	57H. . . . .	1

PackardInfo.com

# **MEMORANDA**

---

PackardInfo.com

---

## **IMPORTANT**

---

To assure prompt shipment of parts, always give

**Car Serial** and **Engine Number**

**L. H. C.** - Left hand drive only

**R. H. C.** - Right hand drive only

---

---